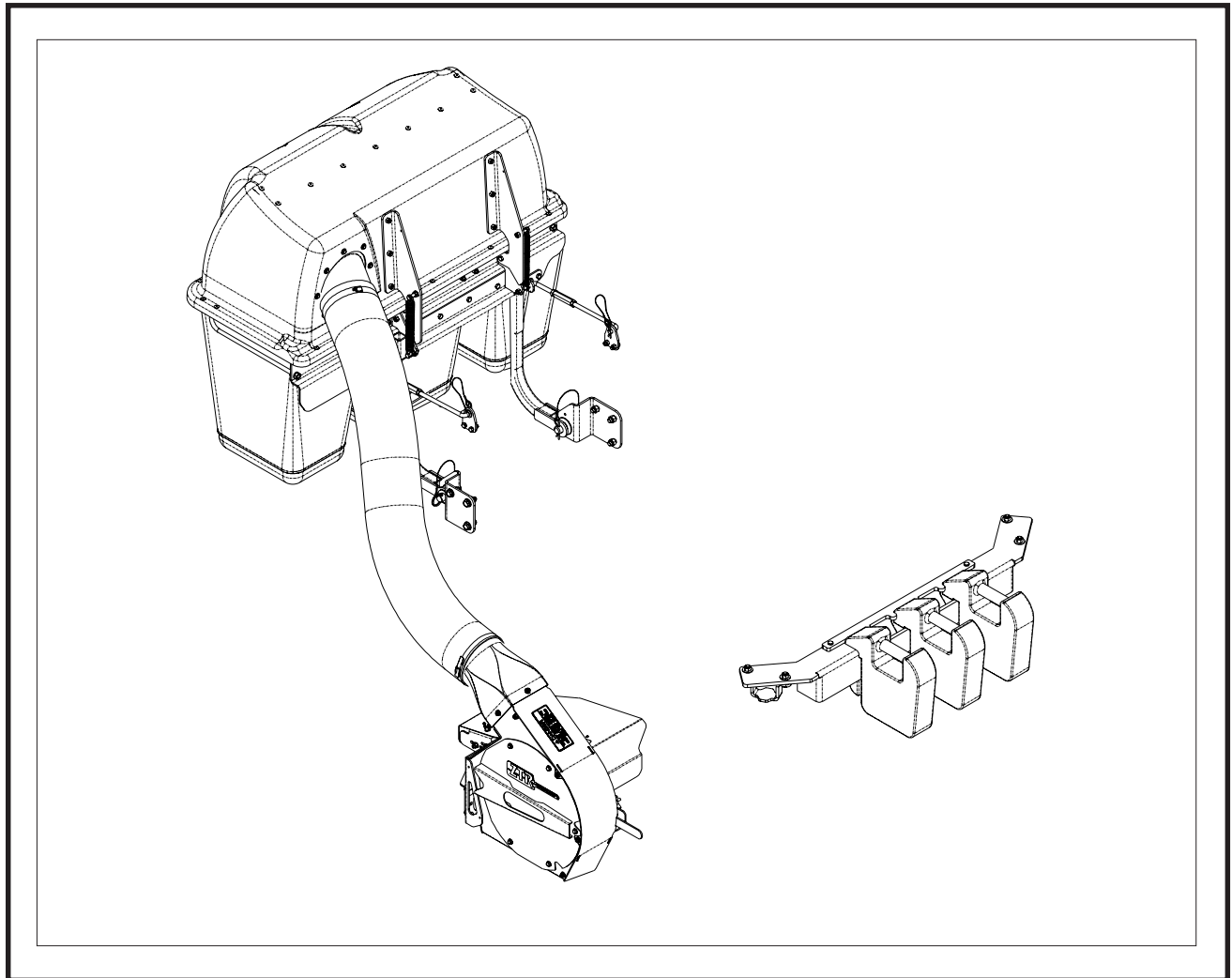


DIXON ZTR



Collection System

Operators Manual
Parts Manual

Models: 114863 - DCK3
114873 - DCG3

Please read these instructions carefully and make sure you understand them before using the machine.

MANUAL NO. 539 114865 REV IR (01/30/07)

INDEX

Operators Guide

Features and Controls	4
General Information	5
Safety Procedures	5
Unpacking Instructions	7
Assembly Instructions	7
Collection System	7
Blower/Drive Kit	11

Operating the Collection System	13
--	-----------

Maintenance and Service Instructions

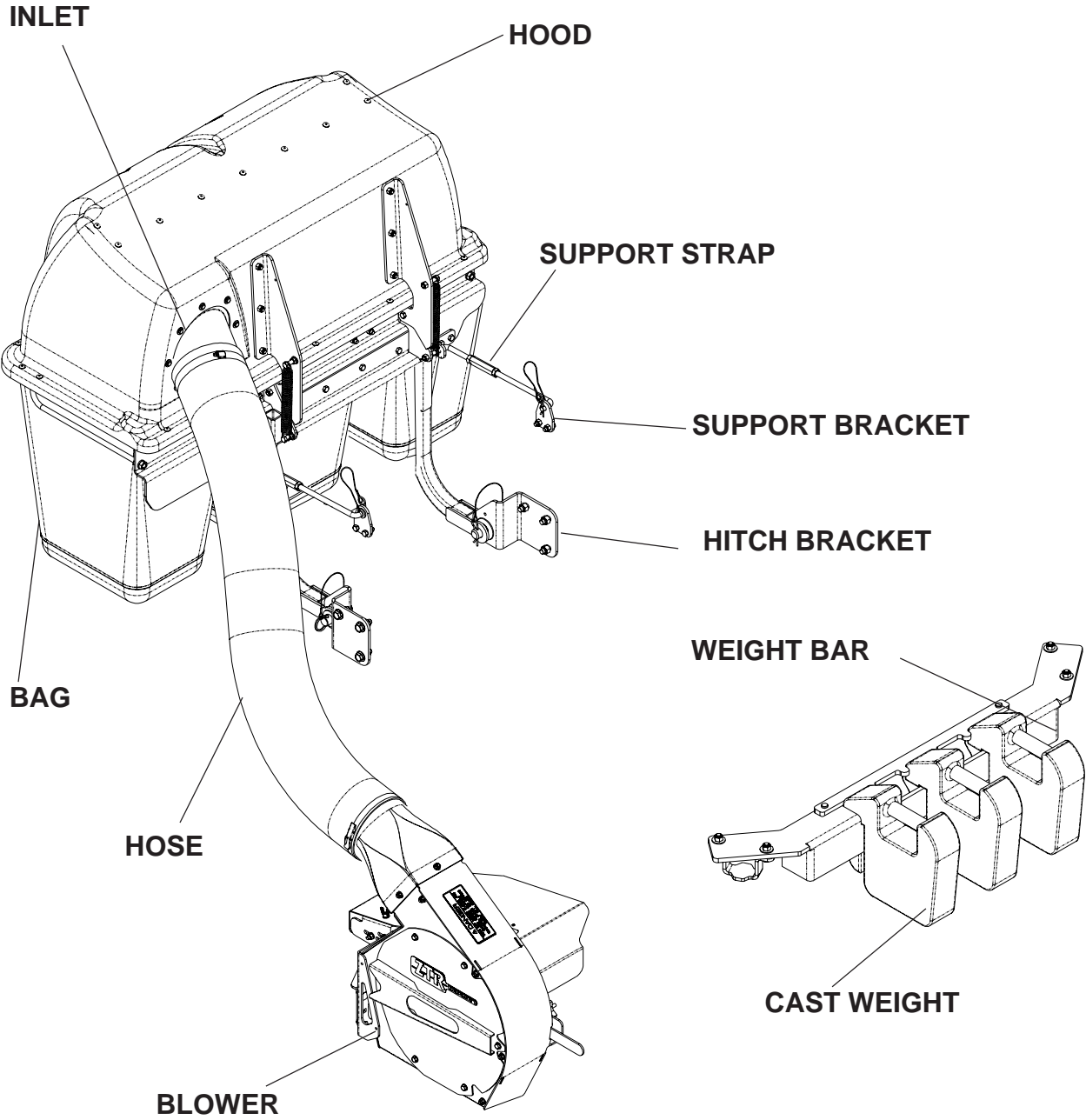
Transport	14
Cleaning and Washing	14
Storage	14
Preventative Maintenance Schedule	14
Caring for Vacuum Hoses	15
Cleaning Poly Mesh	15
Caring for Bags	15
Troubleshooting Guide	16

Replacement Parts

Hood Assembly	20
Hitch Assembly	22
Blower Kit 52"	24
Blower Kit 60"	26
Blower Assembly	28
Weight Kit (Model DCG3)	30
Weight Kit (Model DCK3)	31
Mounting Kit (Model DCG3)	32
Mounting Kit (Model DCK3)	34
Bag Assembly	36

WARNING: Engine exhaust, some of its constituents, and certain vehicle components contain or emit chemicals known to the State of California to cause cancer and birth defects or other reproductive harm.

FEATURES & CONTROLS



NOTE: Your Front Weight Bar may look different from those shown in this diagram.

SAFETY RULES

General Information

This manual will assist you in the safe operation and proper maintenance of your Husqvarna equipment. Read it thoroughly before attempting to operate the machine. Call your dealer or Dixon if additional information is required.

The following safety symbols are used throughout the manual to alert you to information about unsafe actions or situations:



DANGER indicates immediate hazards that may result in severe injury or death.



WARNING indicates unsafe actions or situations that may cause severe injury, death, and/or major equipment or property damage.



CAUTION indicates unsafe actions or situations that may cause injury and/or minor equipment or property damage.

This equipment should not be modified without the manufacturer's prior written authorization. Doing so may not only affect the equipments' performance and durability, but also create safety hazards for the operator and the surroundings. Warranty will be void if changes are made to the equipment without the manufacturer's prior written authorization.

Safety Procedures

1 - Training:

- Read the Operator's manual. If the operator(s) or mechanic(s) can not read English it is the owner's responsibility to explain this material to them.
- Become familiar with the safe operation of the equipment, operator's controls, and safety signs.
- All operators and mechanics should be trained. The owner is responsible for training the users.
- Never let children or untrained people operate or service the equipment. Local regulations may restrict the age of the operator.
- The owner/user can prevent and is responsible for accidents or injuries occurring to themselves, other people, and/or property.

2 - Preparation:

- Wear appropriate clothing including hard hat, safety glasses and ear protection. Long hair, loose clothing or jewelry may get tangled in moving parts.
- Inspect the area where the equipment is to be used and remove all objects such as rocks, toys and wire which can be thrown by the machine.
- Use extra care when handling gasoline and other fuels. They are flammable and vapors are explosive. Use only an approved container. Never remove gas cap or add fuel with engine running. Allow engine to cool before refueling. Do not smoke while fueling or operating equipment. Never refuel or drain the machine indoors.
- Check that operator's controls, safety switches, hoses, and shields are securely attached and functioning properly. Do not operate unless they are functioning properly.

SAFETY RULES

3 - Operation

- Never run an engine in an enclosed area.
- Only operate in good light, keeping away from holes and hidden hazards.
- Slow down and use extra care on hillsides. Make turns gradually and at slow speed. Do not operate across the sides of slopes. Operate up and down slopes only. Do not operate on steep slopes.
- Turf conditions can affect the machine's stability. Do not operate on wet grass where traction may be reduced.
- Do not change the engine governor setting or overspeed the engine.
- Stop equipment and inspect vacuum impeller and hoses after striking objects or if an abnormal vibration occurs. Make necessary repairs before resuming operations.
- Look behind and down before backing up to ensure a clear path.
- Slow down and use caution when making turns and crossing roads and sidewalks. Stop vacuum and mower blades if not mowing.
- Do not operate machine under the influence of alcohol or drugs.

- Use care when loading or unloading the machine into a trailer or truck.
- Use care when approaching blind corners, shrubs, trees, or other objects that may obscure vision.

4 - Maintenance and Storage:

- Stop engine and disconnect spark plug wire. Wait for all movement to stop before adjusting, cleaning, or repairing.
- Clean grass and debris from muffler and engine to help prevent fires. Clean up oil or fuel spillage.
- Let engine cool before storing and do not store near sparks or open flame.
- Shut off fuel while storing. Do not store fuel near flames or drain indoors.
- Never allow untrained personnel to service machine.
- Keep hands and feet away from moving parts. If possible, do not make adjustments with the engine running.
- Keep all parts in good working condition and all hardware tightened. Replace all worn or damaged decals.

ASSEMBLY

Unpacking Instructions

1. Cut plastic tie securing the hitch to the crate top.
2. Remove the top of the crate.
3. Remove the plastic bag.
4. Remove the hose.
5. Remove the sides and ends of the crate.
6. Remove the mounting kit box from the corner of the crate.
7. Cut the two plastic ties that secure the hitch assembly to the pallet. Remove the hitch assembly.
8. Cut the two plastic ties that secure the back of the hood, and the two that secure the front of the hood. Remove the hood assembly.
9. Cut and two plastic ties that secure the weight bar to the pallet. Remove the weight bar.
10. Cut the two plastic ties that secure the blower assembly to the pallet. Remove the blower assembly.
11. Remove the 1 x 4 that secures the cast weights to the pallet. Remove the weights.

Assembly Instructions

Collection System

Tools Required:

Ratchet	(2) 3/4" Wrench
Torque Wrench	3/4" Socket
1/2" Wrench	Flat Screw Driver
1/2" Socket	5/32" Allen Wrench
9/16" Wrench	Hacksaw
9/16" Socket	11/32" Drill Bit
5/8" Socket	Drill

1. Open the mounting kit box and remove all of the components.
2. Place the support bracket on the frame and secure with (2) 990563, 3/8 x 1 bolts and (2) 976979, 3/8 nyloc nuts. Figure 1.
3. Place the hitch brackets on the frame and secure with (3) 990622, 1/2 x 1 1/4 bolts and (3) 101331, 1/2 nyloc nuts. Figure 1.

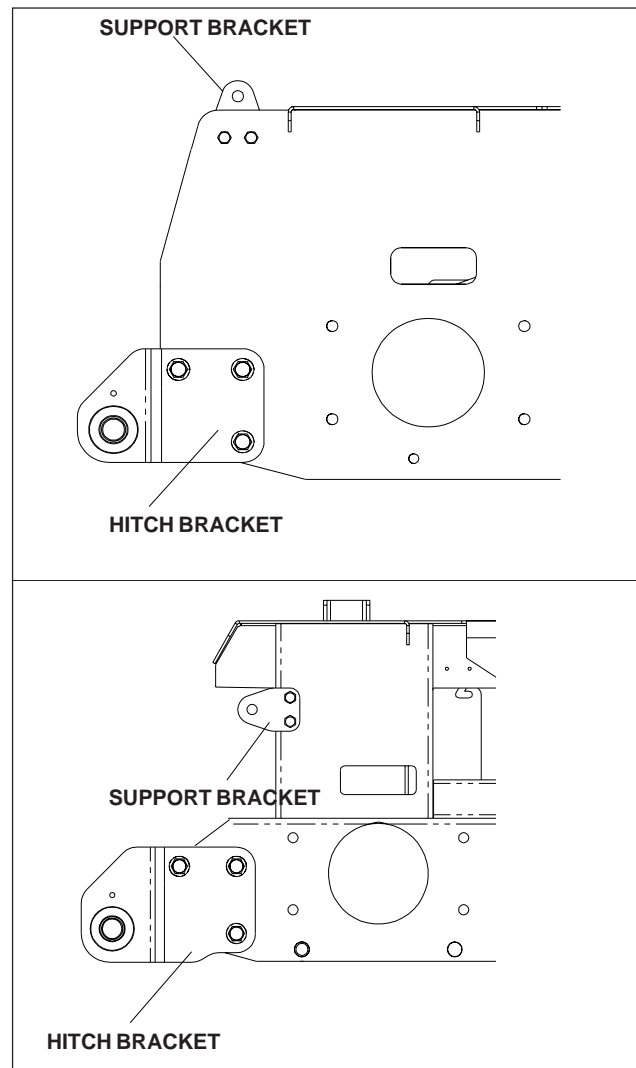


FIGURE 1

ASSEMBLY

4. Place the hitch assembly on the ground behind the mower. Place the (2) hitch pins thru the hitch and the hitch brackets. Secure the hitch pins with the (2) hairpins that are secured with the (2) lanyards. Figure 3.

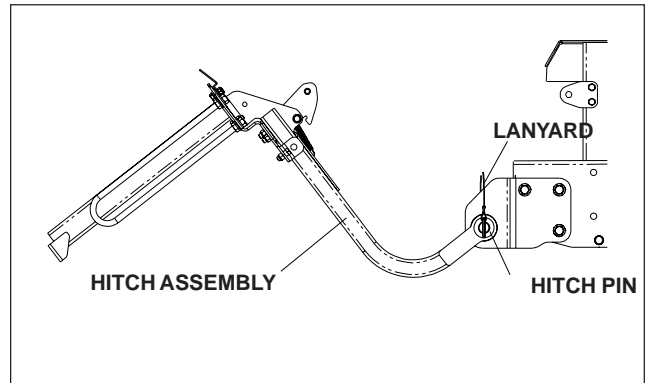


FIGURE 2

5. Move to the rear of the hitch assembly and pick it up towards the rear guard. Secure using straps. Figure 2.

ASSEMBLY

6. Place the hood assembly on to the hitch assembly. Place both hood hinges between the upper hitch mounts on the hitch assembly. Be sure that the rubber seal is on the inside of the hood. Place the (2) friction washers between the hood hinge and the upper hitch mount. Place (2) 990563, 3/8 x 1 bolt thru the hinge and mount. Secure with (2) 976979, 3/8 nyloc nut. Figure 3.
7. Open the hood and secure the (2) springs to the bolts on the hood assembly and the hitch assembly. Figure 3.

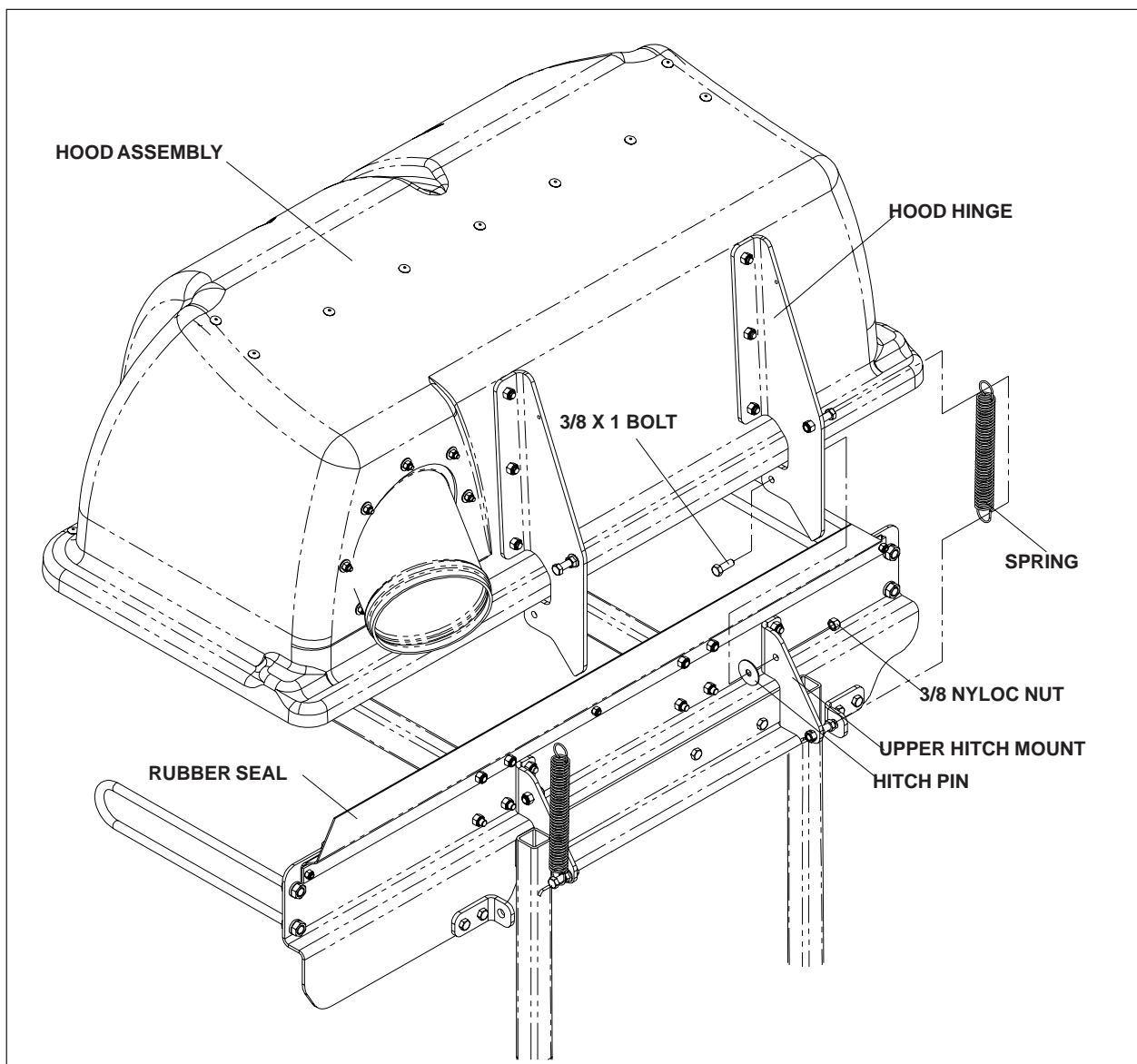


FIGURE 3

ASSEMBLY

8. With the hood open, secure the (3) bags in place. The back of the bags will hook over the mounting tabs on the hitch assembly. Figure 4.
9. Close the hood, and latch the draw latch over the draw latch keeper on the hitch assembly. Figure 4.

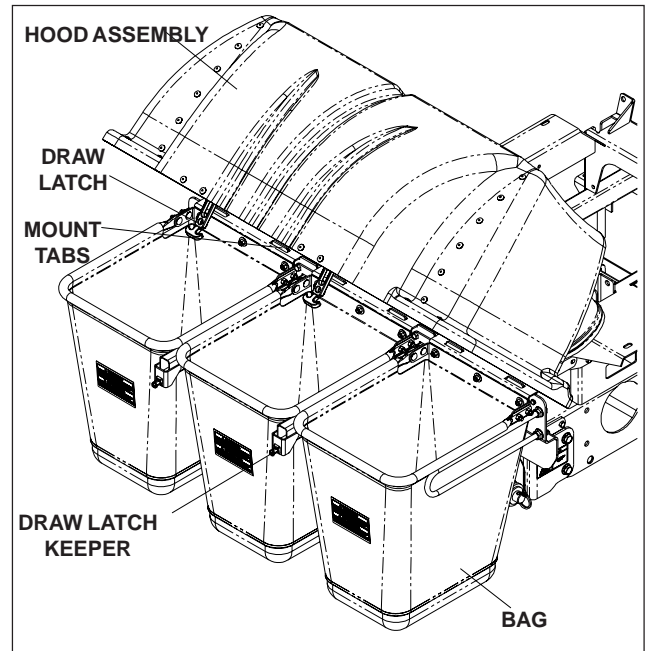


FIGURE 4

10. Install the (2) straps to the (2) support brackets on hitch assembly and the (2) support brackets on the frame. Figure 5.

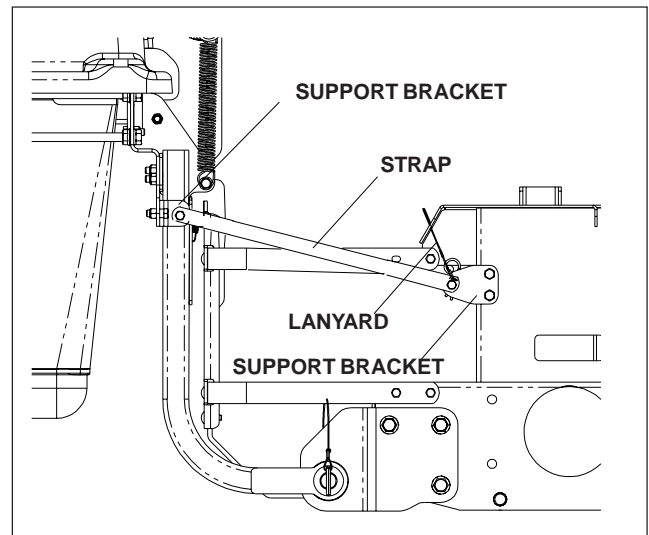


FIGURE 5

ASSEMBLY

Blower/Drive Kit

1. Open the blower/drive kit box and remove all of the components.
2. Place the deck in the lowest cutting height.
3. Remove the right side belt shield from the deck.
4. Remove the deck belt from the right side pulley.
5. Remove the deck pulley and spindle, but keep the hardware at hand for re-installation.
6. Install new spindle. Use existing deck pulley and key. Add new pulley, with raised portion of pulley hub on the bottom. Secure with existing hardware and tighten to 70 - 80 ft./lbs.
7. Attach blower housing assembly to mower deck. First, insert the stud at rear of blower housing into tube at rear of deck discharge opening. See Figure 7. Rotate blower housing around toward the front. The eyebolt at front of blower housing will nest into slot in deck bracket. Tighten with knob on eyeblot. See Figure 7.
8. Install blower drive belt so that blower rotation is clockwise when viewed from the operator's position. Belt will be easiest to install if it goes on the flat idler pulley last. Pull lever in Figure 8 to assist in routing belt around flat idler. After belt is installed, make certain the bolts are tight on the bracket supporting the rear "V" idler pulley. Refer to Figure 8.

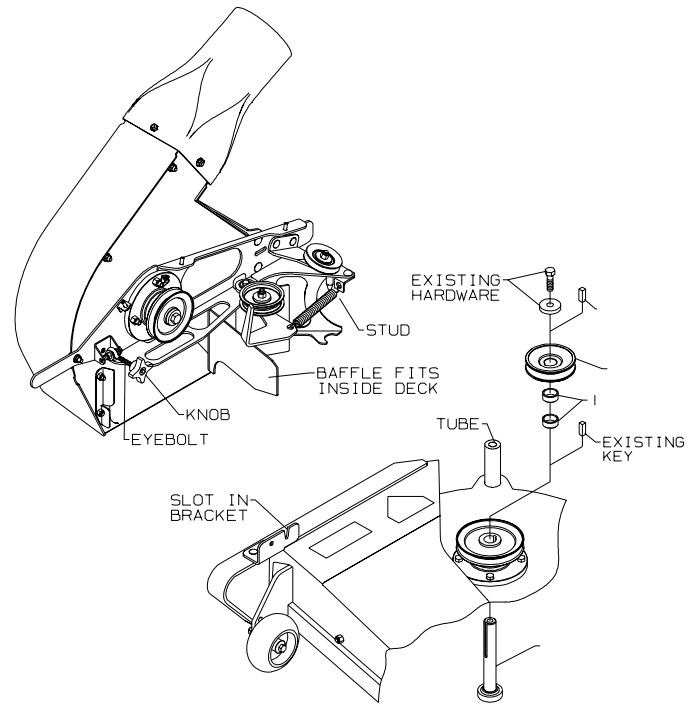


FIGURE 7

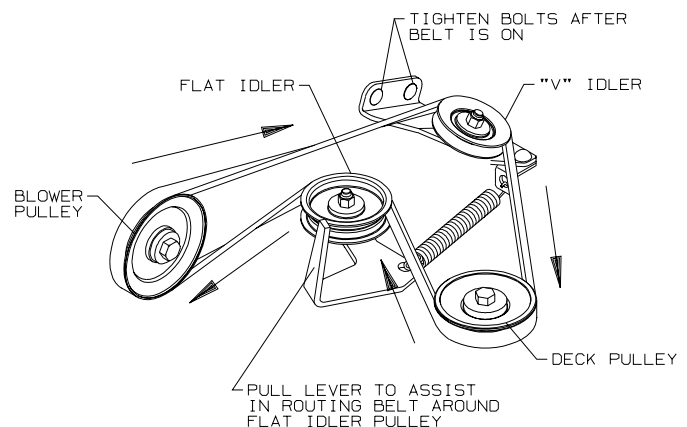


FIGURE 8

ASSEMBLY

9. Install belt guard to blower assembly using three 1/4" washers and three 1/4" wing nuts. See Figure 9.
10. Install hose on the blower housing and secure with hose clamp.

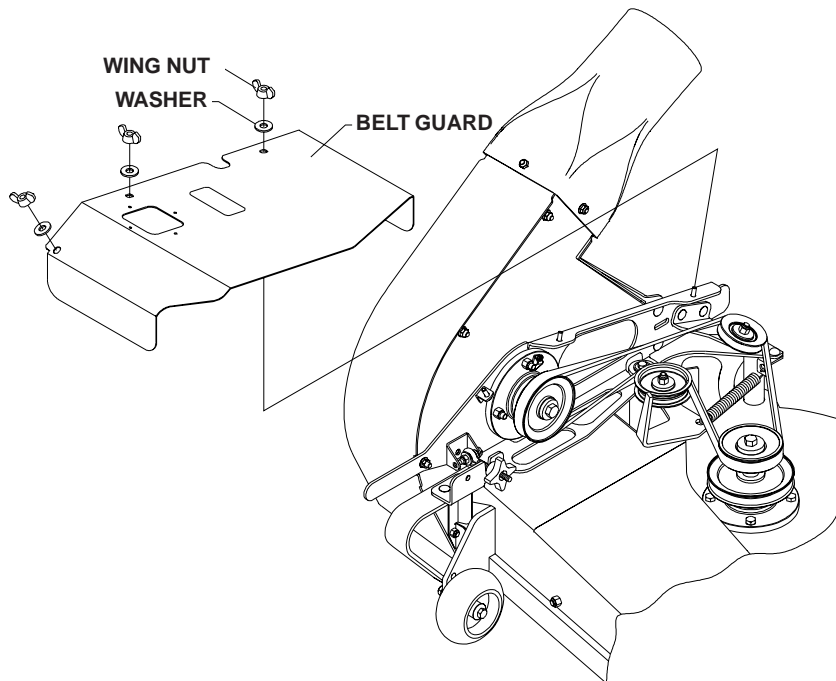


FIGURE 9


OPERATION

Operating the Collection System

1. **NEVER USE THE COLLECTION SYSTEM WITHOUT THE BLOWER ASSEMBLY AND HOSES SECURELY ATTACHED.**
2. Make sure hoses are connected at both ends. Inspect hoses prior to each use.
3. Do not use the unit on slopes greater than 10 degrees.
4. The mower must be running in order to vacuum debris through the mower deck.
5. In heavy grass it may be necessary to mow and collect at a slower ground speed.
6. Never attempt to unclog the collection system until the mower's engine has been shut off and all moving parts have come to a complete stop.
7. Do not stand behind the vent at the rear of the collection system due to the potential for small pieces of blowing debris to escape through the vent.
8. Wear eye and ear protection.

SERVICE AND MAINTENANCE

Transport



WARNING

The collection system bags must be completely empty or removed while driving forward onto a trailer. If the mower must be loaded onto a trailer while there is still debris in the container, the mower must be backed up onto the trailer to avoid tipping.

For best results, clean poly mesh inside hood regularly. Instructions for doing this can be found in the Service section of this manual.

Cleaning and Washing

Regular cleaning, washing, and lubricating will prolong the service of the machine.

NOTE: Use care with power washers to avoid damage to decals. Limit direct spray on these items.

DO NOT EXCEED 1000 PSI WATER PRESSURE FOR CLEANING.

Storage

1. Clean machine.
2. Cover all scratches with touch-up paint.
3. Covered or indoor storage is recommended.

Preventative Maintenance Schedule

Item	Before Each Use	Every 5 Hours	Every 25 Hours	Every 50 Hours
Inspect/Clean Poly Mesh	X	X		
Check/Tighten Nuts & Bolts	X			
Check/Tighten Hoses	X			
Turn Hose End to End			X	
Rotate Hose				X
Clean Machine				X
Inspect Bags	X			

SERVICE AND MAINTENANCE

Caring For Hoses

1. Inspect hoses before each use. If hoses have excessive wear, tears, or punctures, replace immediately.
2. To prolong the life of the hose, periodically rotate hose and turn hose end to end. Refer to Preventative Maintenance Schedule in this manual.
3. Avoid twists and sharp turns in the hoses, as they will increase wear on the hoses.
4. Avoid dragging the lower hose along the sides of buildings or other hard surfaces.

Caring For Bags

Inspect the bags before each use. If bags have excessive wear, tears or punctures, replace immediately.

Cleaning Instructions

NOTE: Under normal usage the bag material is subject to deterioration and wear.

Cleaning Poly Mesh

The poly mesh on the collection system is located inside the container hood. For best results, clean poly mesh regularly.

Cleaning Instructions

1. Shut off engine.
2. Release the two (2) rubber latches under the rear of the hood. Open hood and brush debris off of both sides.
3. Close hood and re-latch.

DO NOT USE THE COLLECTION SYSTEM WITHOUT POLY MESH SECURELY IN PLACE.

SERVICE AND MAINTENANCE

Troubleshooting Guide

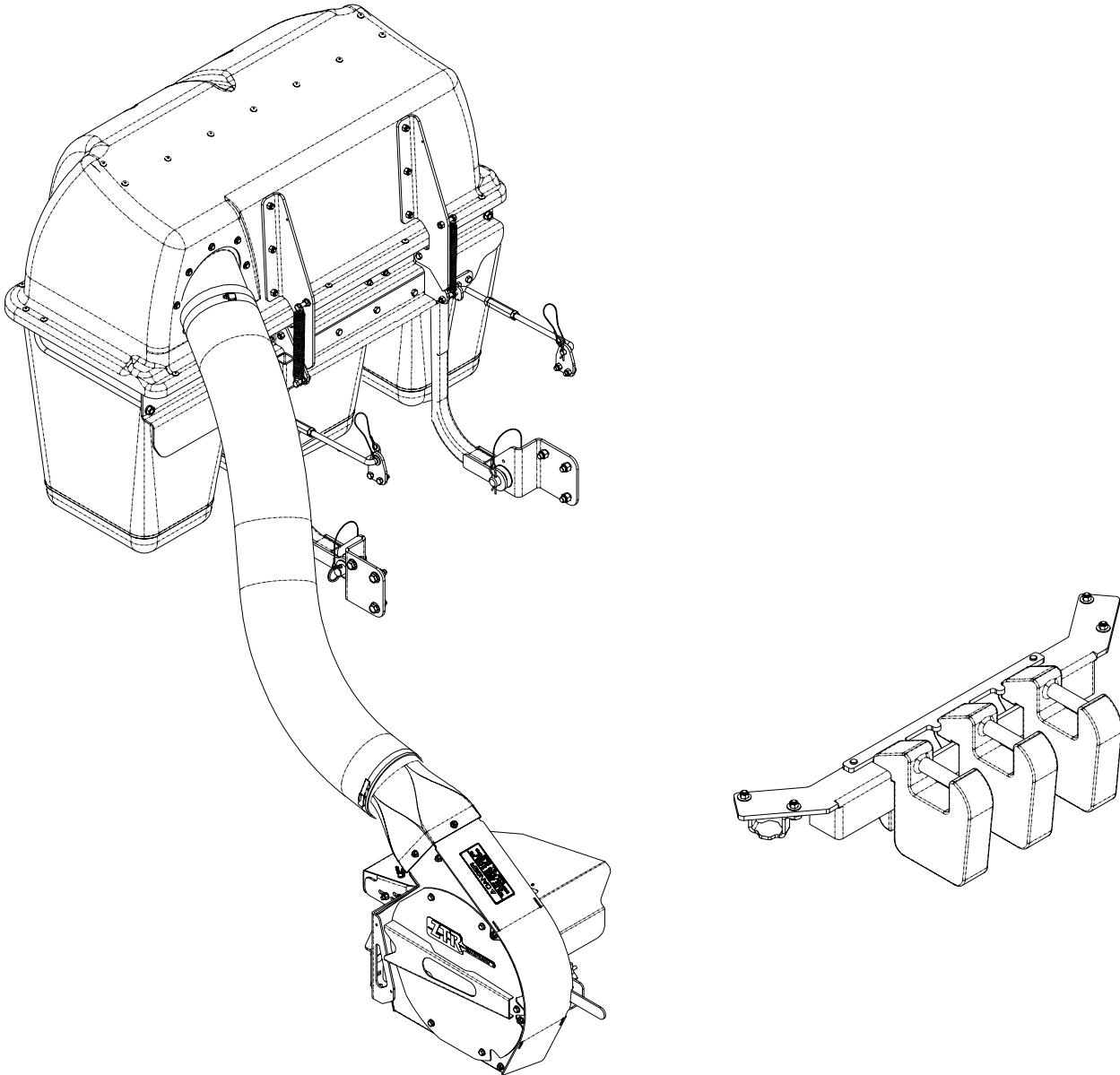


DANGER

Before servicing unit, wait for all moving parts to come to a complete stop. Turn engine off and remove the spark plug wire.

PROBLEM	POSSIBLE CAUSE	CORRECTION
Loss of Vacuum.	<ol style="list-style-type: none">1. Blower, hose or hood inlet clogged.2. Bags full.3. Fan blades bent or broken.4. Poly mesh plugged.	<ol style="list-style-type: none">1. Remove hose and clean inlet.2. Inspect and empty.3. Replace/repair impeller.4. Clean poly mesh.
Unusual vibration or noise.	<ol style="list-style-type: none">1. Solid object jammed in unit.2. Loose or missing bolts on unit.3. Bent or damaged fan.	<ol style="list-style-type: none">1. Check and remove any obstruction.2. Tighten or replace bolts.3. Replace/repair implerler.
Unit difficult to close.	<ol style="list-style-type: none">1. Obstructions keeping door from completely closing.2. Hood hinge bolts too tight.	<ol style="list-style-type: none">1. Clear obstructions.2. Loosen bolts.

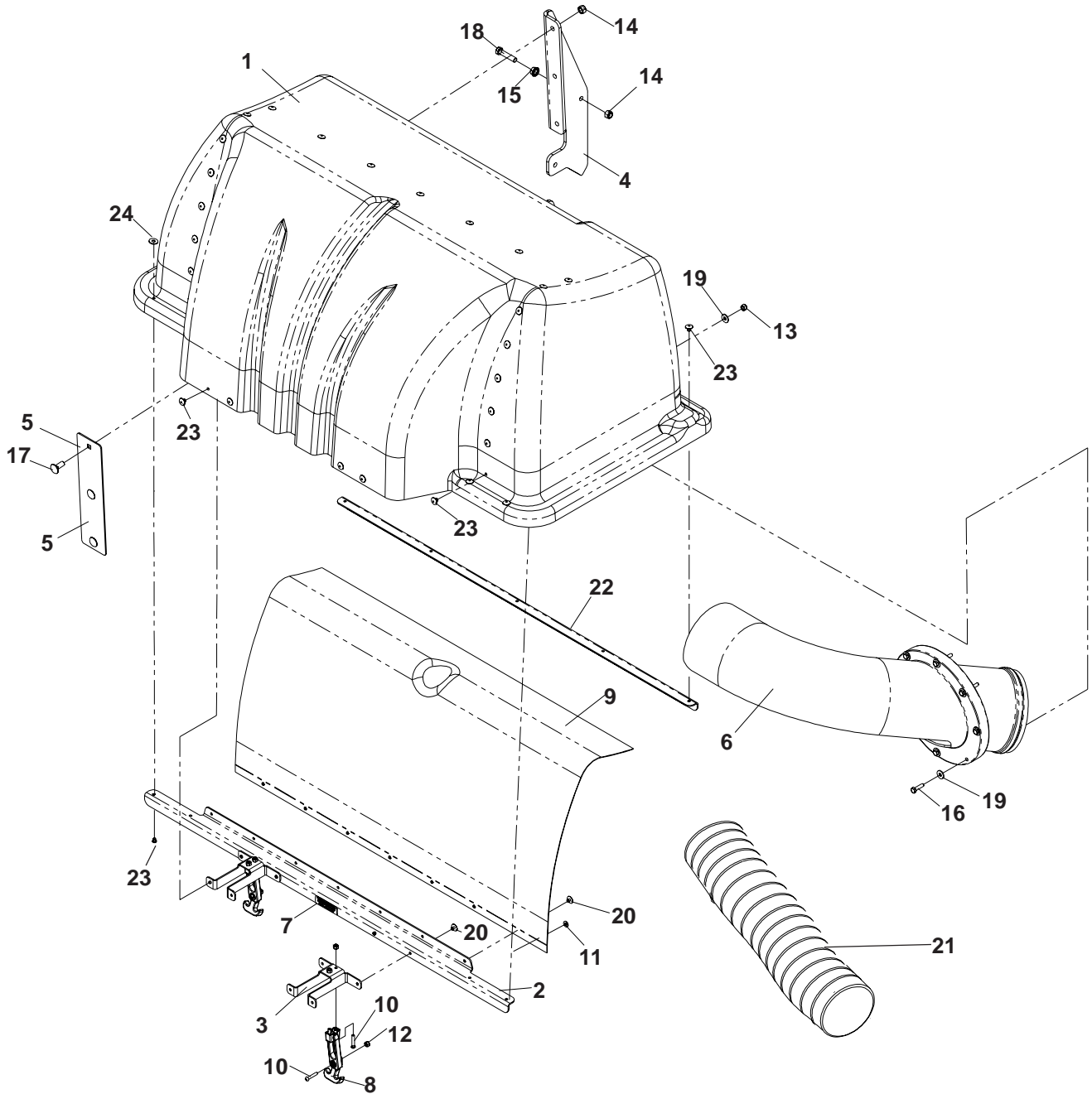
SPINDLE DRIVE ASSEMBLY



NOTE: Your Front Weight Bar may look different from those shown in this diagram.

PARTS ILLUSTRATIONS

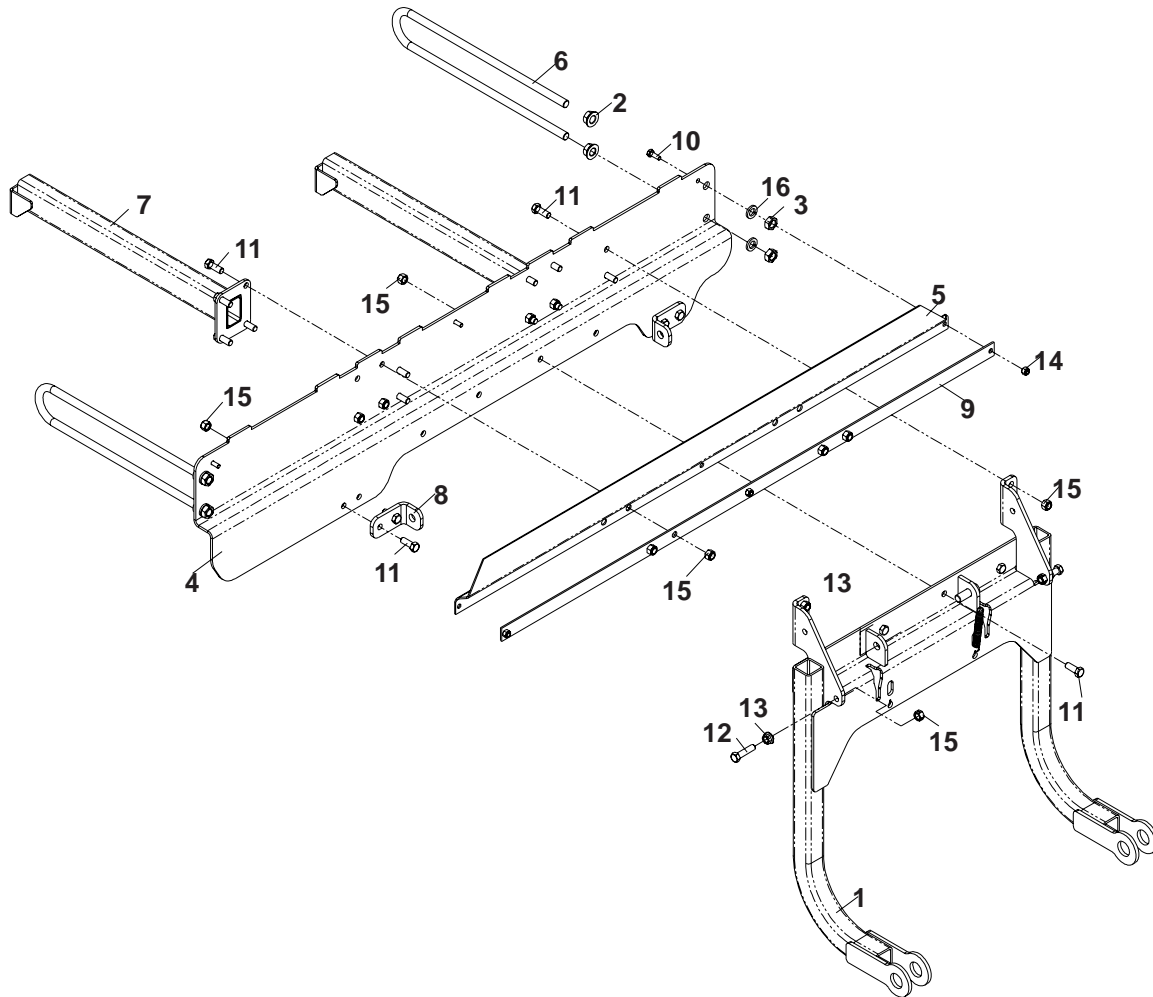
HOOD ASSEMBLY



HOOD ASSEMBLY

ITEM	PART NO.	QTY	DESCRIPTION
1	539 111172	1	HOOD
2	539 111174	1	HOOD SUPPORT
3	539 111175	2	SUPPORT, DRAW LATCH
4	539 111177	2	HOOD HINGE
5	539 111181	2	MOUNT PLATE
6	539 111182	1	INLET TUBE
7	539 111260	1	DECAL, VENTILATION
8	539 200478	2	DRAW LATCH, FLEXIBLE T-HANDLE
9	539 111183	1	MESH, POLY DIAMOND
10	539 111186	6	SCREW, #10-24 X 1 1/8, MACH.
11	539 105408	21	WASHER, #10
12	539 976977	6	NUT, #10-24, NYLOC
13	539 976978	8	NUT, 1/4C, NYLOC
14	539 976979	8	NUT, 3/8C, NYLOC
15	539 990613	2	NUT, 3/8C
16	539 991003	8	HCS, 1/4-20 X 1 3/4
17	539 990645	6	RHSNB, 3/8-16 X 1
18	539 990730	2	HCS, 3/8-16 X 1 3/4
19	539 990598	16	WASHER, 1/4
20	539 102744	11	RIVET, 3/16 X 1/4
21	539 115392	1	HOSE, 60"
22	539 111339	1	HOOD SUPPORT, REAR
23	539 200684	30	RIVET, 1/4 STAVEX
24	539 110033	8	WASHER, #10
	539 115719	1	HOSE CLAMP, DCK3 (NOT SHOWN)

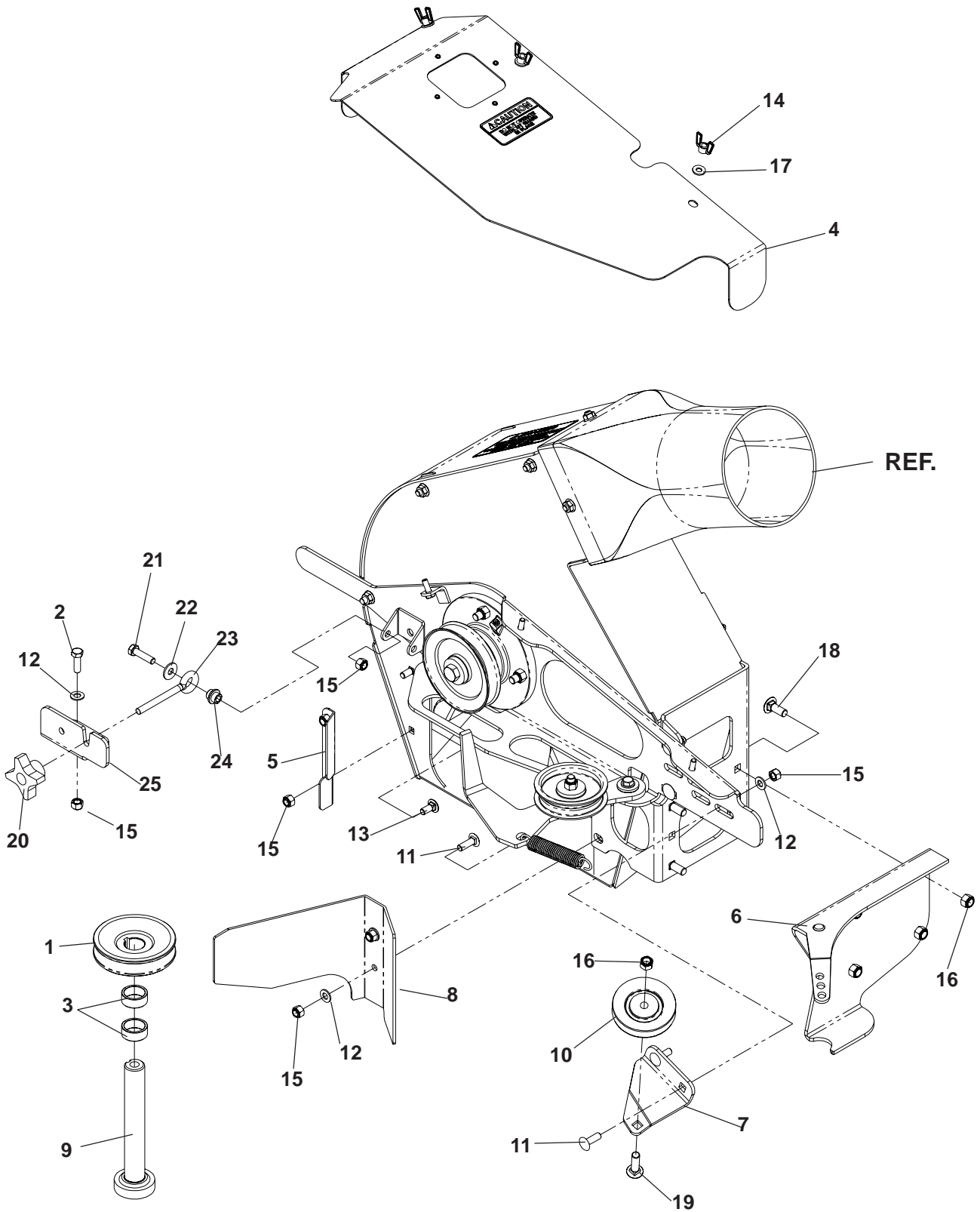
HITCH ASSEMBLY



HITCH ASSEMBLY

ITEM	PART NO.	QTY	DESCRIPTION
1	539 111155	1	HITCH
2	539 111187	4	NUT, 1/2-13, WHIZLOCK
3	539 990625	4	NUT, 1/2, JAM
4	539 111157	1	MOUNT Z BRACE
5	539 111167	1	SEAL, RUBBER
6	539 111158	2	SUPPORT, OUTER
7	539 111162	2	SUPPORT ARM
8	539 111267	2	BRACKET, SUPPORT
9	539 111171	1	SEAL STRAP
10	539 990580	3	HCS, 1/4-20 X 3/4
11	539 990563	20	HCS, 3/8-16 X 1
12	539 990655	2	HCS, 3/8-16 X 1 1/2
13	539 990613	2	NUT, 3/8C
14	539 976978	3	NUT, 1/4C, NYLOC
15	539 976979	22	NUT, 3/8C, NYLOC
16	539 990254	4	WASHER, 1/2

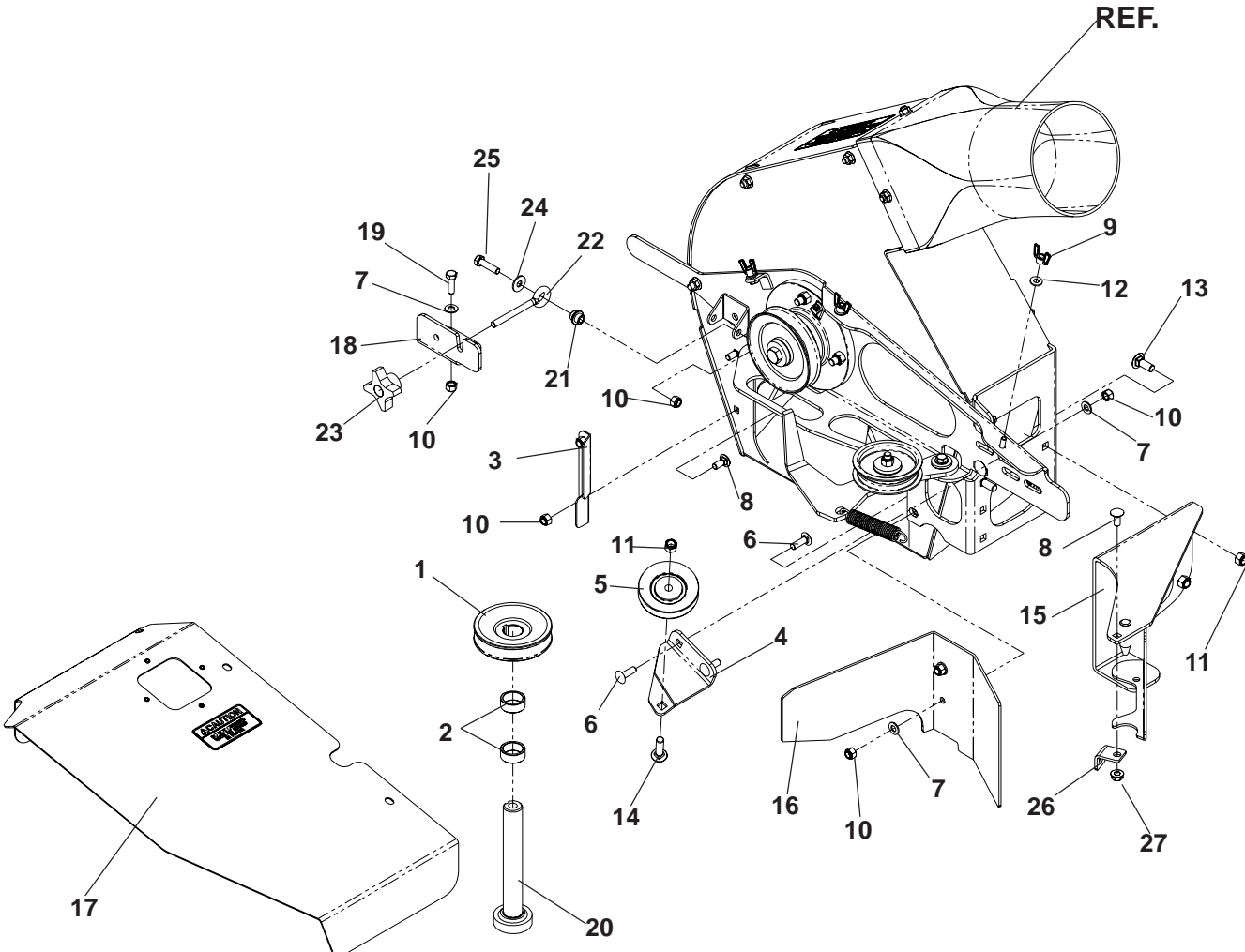
BLOWER KIT 52"



BLOWER KIT 52"

ITEM	PART NO.	QTY	DESCRIPTION
1	539 121215	1	PULLEY, "V", 4.0"
2	539 990209	2	HCS, 5/16-18 X 1, GR5
3	539 119489	2	HUB, BEARING, SPACER
4	539 114993	1	GUARD
5	539 118257	1	ANGLE
6	539 118250	1	52" BLOWER PIVOT
7	539 118249	1	FIXED IDLER BRACKET
8	539 117938	1	BLOCK OFF PLATE
9	539 117912	1	SPINDLE
10	539 117501	1	3" METAL IDLER
11	539 107271	4	RHSSNB, 5/16C X 1.0
12	539 990188	6	WASHER, 5/16, SAE
13	539 990316	2	RHSNB, 5/16-18 X 3/4, GR5
14	539 990997	3	WINGNUT, 1/4C, NYLOC
15	539 990717	9	NUT, 5/16-18, NYLOC
16	539 976979	5	NUT, 3/8-16, NYLOC
17	539 115562	3	WASHER, 1/4, SAE
18	539 990645	4	RHSNB, 3/8-16 X 1, GR5
19	539 109345	1	RHSNB, 3/8-16 X 1 1/2, GR5
20	539 115746	1	SEAT ADJUST KNOB
21	539 990627	1	HCS, 5/16-18 X 1 1/4, GR5
22	539 990692	1	WASHER, 5/16
23	539 115574	1	EYE BOLT, 5/16 X 3 1/2
24	539 127092	1	SPRING CAP
25	539 117939	1	LATCH RECEIVER
	539 120772	1	BELT (NOT SHOWN)

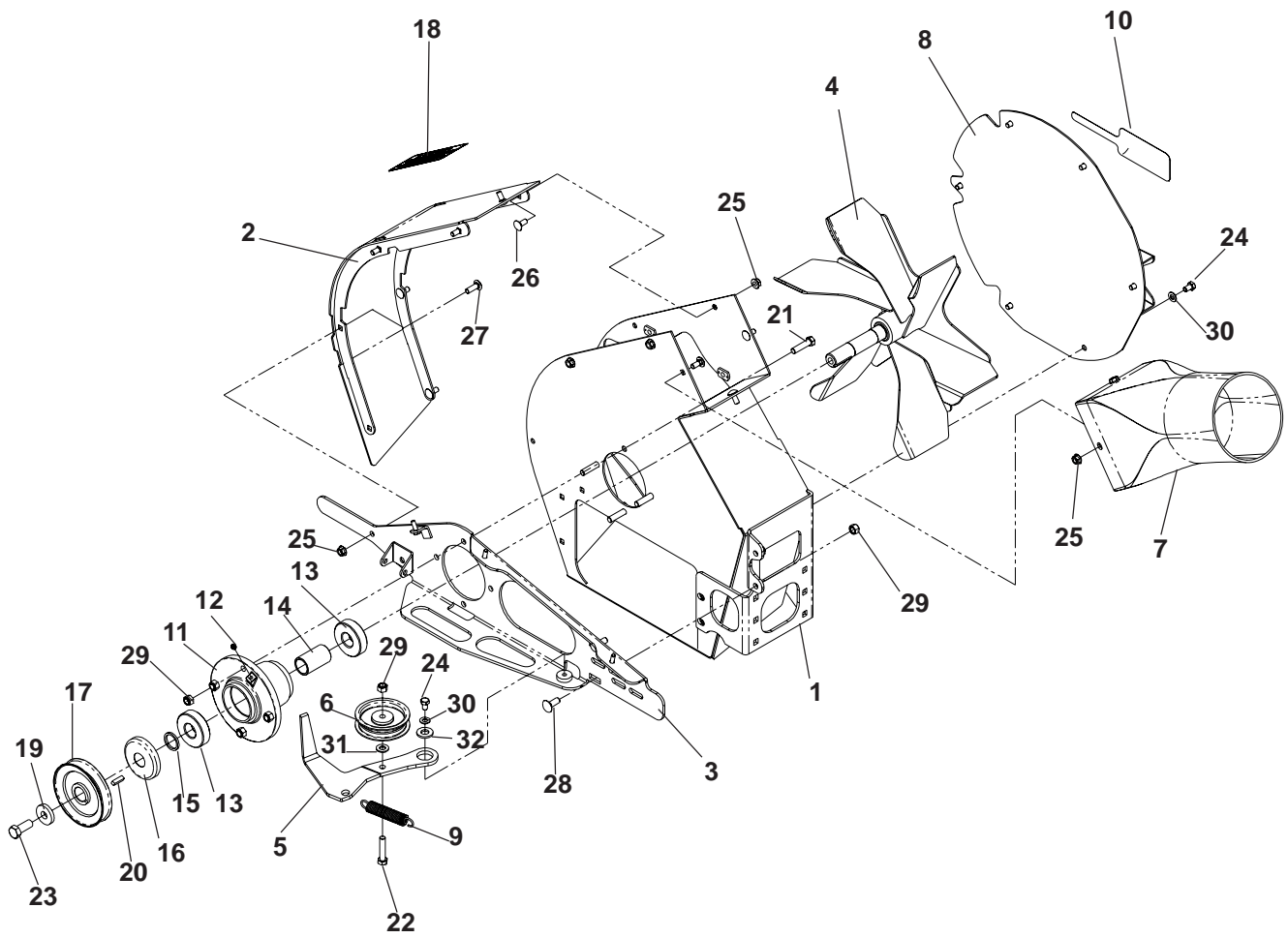
BLOWER KIT 60"



BLOWER KIT 60"

ITEM	PART NO.	QTY	DESCRIPTION
1	539 121215	1	PULLEY, "v", 4.0"
2	539 119489	2	HUB, BEARING, SPACER
3	539 118257	1	ANGLE
4	539 118249	1	FIXED IDLER BRACKET
5	539 117501	1	3" METAL IDLER
6	539 107271	4	RHSSNB, 5/16C X 1.0
7	539 990188	6	WASHER, 5/16, SAE
8	539 990316	2	RHSNB, 5/16-18 X 3/4, GR5
9	539 990997	3	WINGNUT, 1/4C, NYLOC
10	539 990717	9	NUT, 5/16-18, NYLOC
11	539 976979	5	NUT, 3/8-16, NYLOC
12	539 115562	3	WASHER, 1/4, SAE
13	539 990645	4	RHSNB, 3/8-16 X 1, GR5
14	539 109345	1	RHSNB, 3/8-16 X 1 1/2, GR5
15	539 118261	1	60" BLOWER PIVOT
16	539 118265	1	BLOCK OFF PLATE
17	539 130198	1	GUARD
18	539 117939	1	LATCH RECEIVER
19	539 990209	2	HCS, 5/16-18 X 1, GR5
20	539 117912	1	SPINDLE
21	539 127092	1	SPRING CAP
22	539 115574	1	EYE BOLT, 5/16 X 3 1/2
23	539 115746	1	SEAT ADJUST KNOB
24	539 990692	1	WASHER, 5/16
25	539 990627	1	HCS, 5/16-18 X 1 1/4, GR5
26	539 121859	1	SPRING MOUNT
27	539 115674	1	L-NUT, 5/16-18, FLANGED
	539 120772	1	BELT (NOT SHOWN)

BLOWER ASSEMBLY

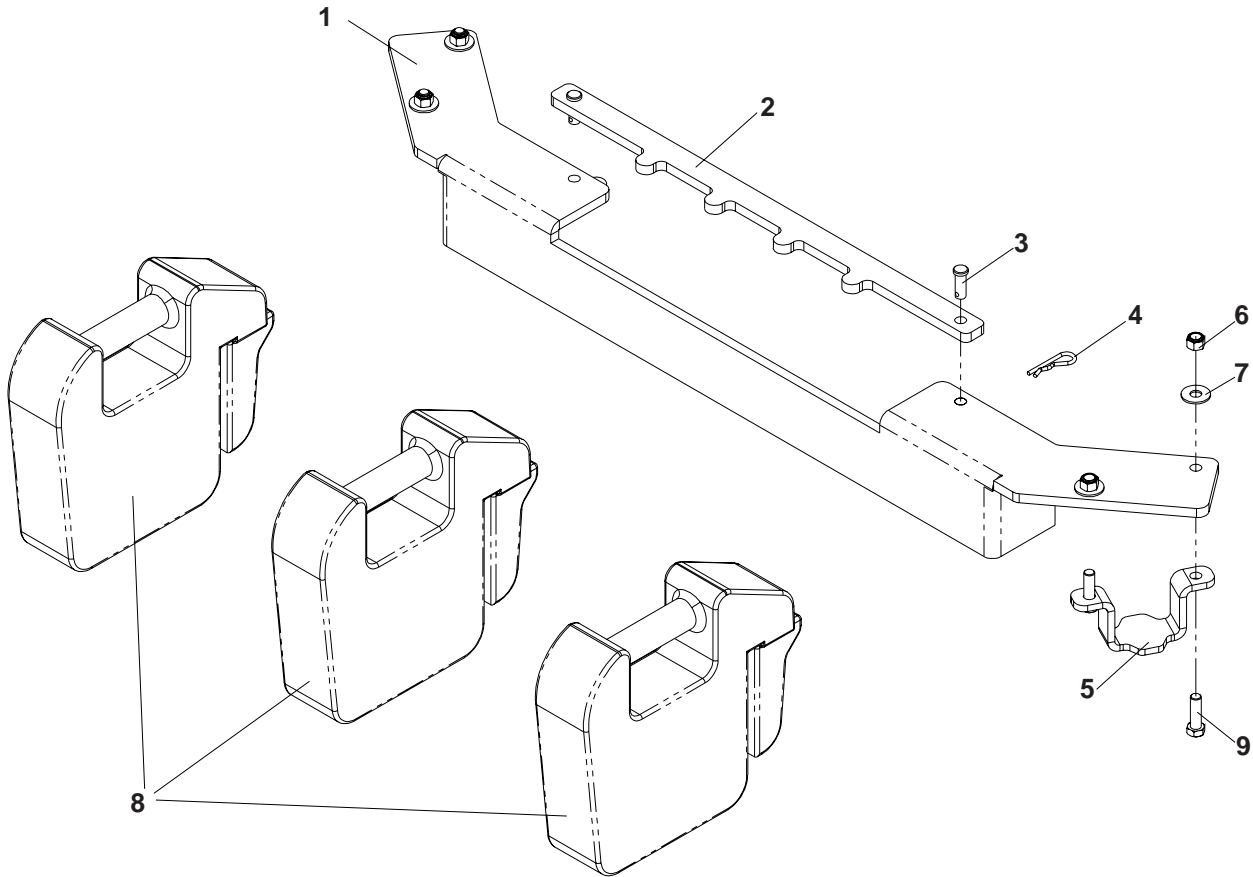


BLOWER ASSEMBLY

ITEM	PART NO.	QTY	DESCRIPTION
1	539 117919	1	FAN HOUSING
2	539 118255	1	SANDLINER
3	539 118253	1	BLOWER HUB STIFFENER
4	539 117917	1	FAN
5	539 117924	1	FAN IDLER ARM
6	539 117500	1	3" METAL IDLER
7	539 118211	1	BLOWER EXIT TUBE
8	539 118270	1	OUTER PLATE
9	539 115275	1	SPRING, 4"
10	539 119902	1	DECAL, LOGO
11	539 117970	1	DECK HUB
12	539 115638	1	ZERK, 3/15" DRIVE
13	539 119260	2	BEARING
14	539 117971	1	SPACER
15	539 115326	1	HUB PULLEY SPACER
16	539 119811	1	TRASH GUARD
17	539 119264	1	PULLEY
18	539 115401	1	DECAL, G.C. WARNING
19	539 115636	1	WASHER, 1/2
20	539 115387	1	KEY, 1/4 X .88
21	539 990655	4	HCS, 3/8-16 X 1 1/2, GR5
22	539 990730	1	HCS, 3/8-16 X 1 3/4, GR5
23	539 115511	1	BOLT, 1/2-20 X 1 1/4
24	539 124796	7	HCS, 5/16-18 X 1/2, GR5
25	539 115674	11	L-NUT, 5/16-18, FLANGED
26	539 990316	10	RHSNB, 5/16-18 X 3/4, GR5
27	539 107271	1	RHSSNB, 5/16C X 1.0
28	539 990645	2	RHSNB, 3/8-16 X 1, GR5
29	539 976979	7	NUT, 3/8-16, NYLOC
30	539 990188	7	WASHER, 5/16, SAE
31	539 990122	3	WASHER, 3/8, SAE
32	539 990250	1	WASHER, 1/2, SAE

WEIGHT KIT

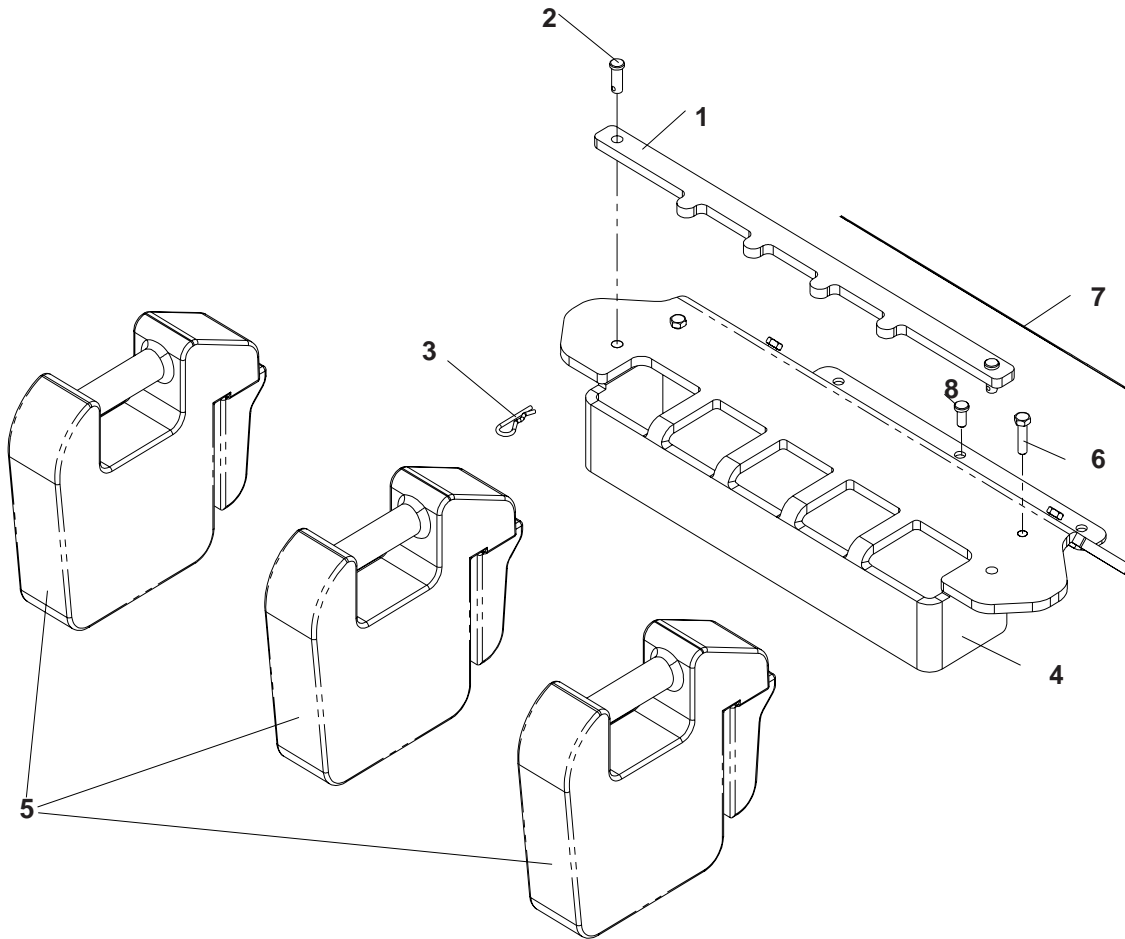
MODEL DCG3



ITEM	PART NO.	QTY	DESCRIPTION
1	539 020255	1	WEIGHT BAR, FRONT
2	539 111313	1	HOLD DOWN, WEIGHT BAR
3	539 102049	2	CLEVIS PIN
4	539 108096	2	SPRING RETAINER
5	539 111259	2	WEIGHT KEEPER
6	539 976979	4	NUT, 3/8, NYLOC
7	539 990517	4	WASHER, 3/8
8	539 000019	3	CAST COUNTERWEIGHT
9	539 976941	4	HCS, 3/8-16 X 1 1/4, GR5

WEIGHT KIT

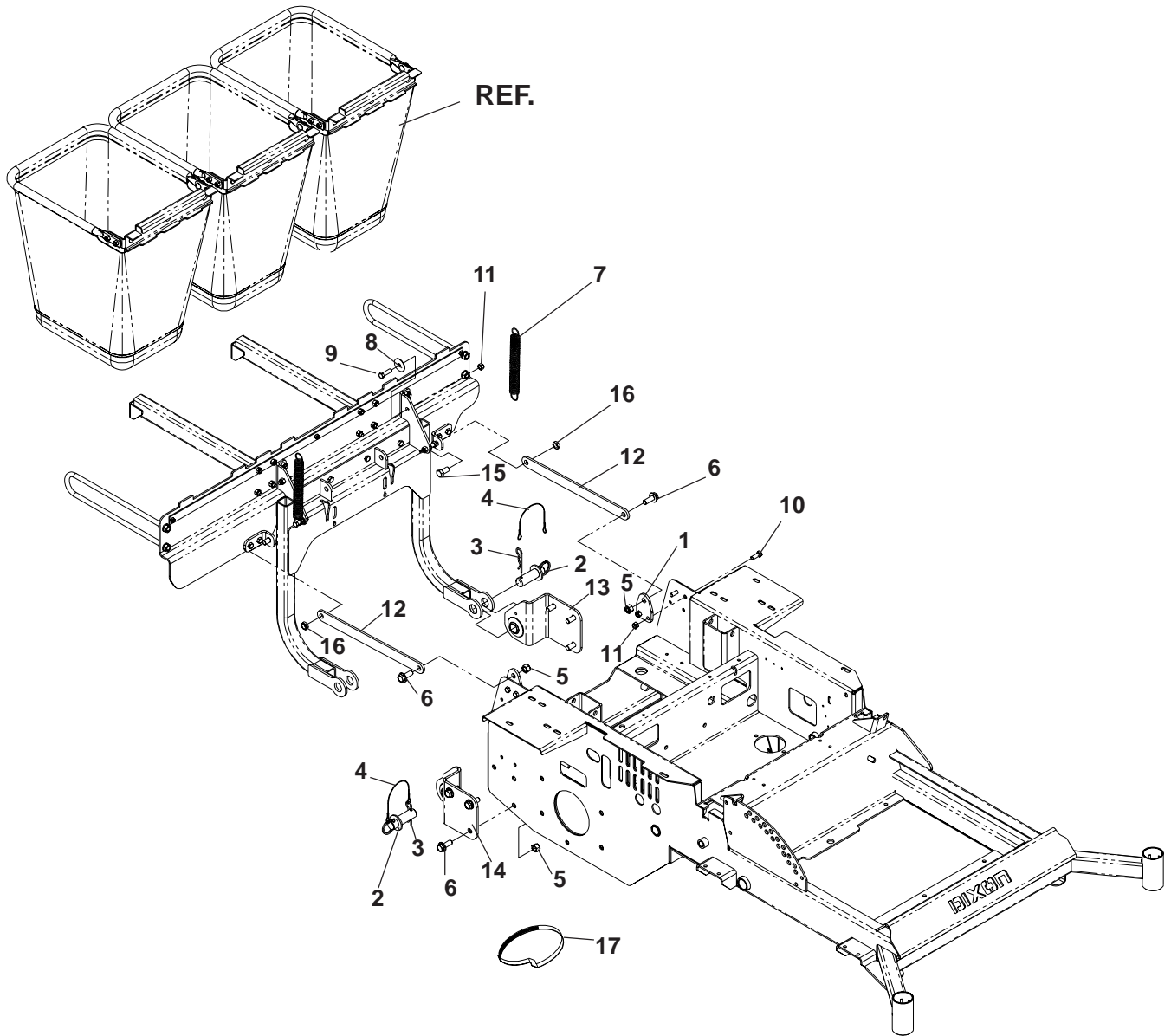
MODEL DCK3



ITEM	PART NO.	QTY	DESCRIPTION
1	539 111313	1	HOLD DOWN, WEIGHT BAR
2	539 102049	2	CLEVIS PIN
3	539 108096	2	SPRING RETAINER
4	539 114858	1	WEIGHT BAR
5	539 000019	3	CAST COUNTERWEIGHT
6	539 990627	4	HCS, 5/16-18 X 1 1/4, GR5
7	539 977778	1	PAD, ABRASIVE
8	539 102587	3	BUMPER

MOUNTING KIT

MODEL DCG3



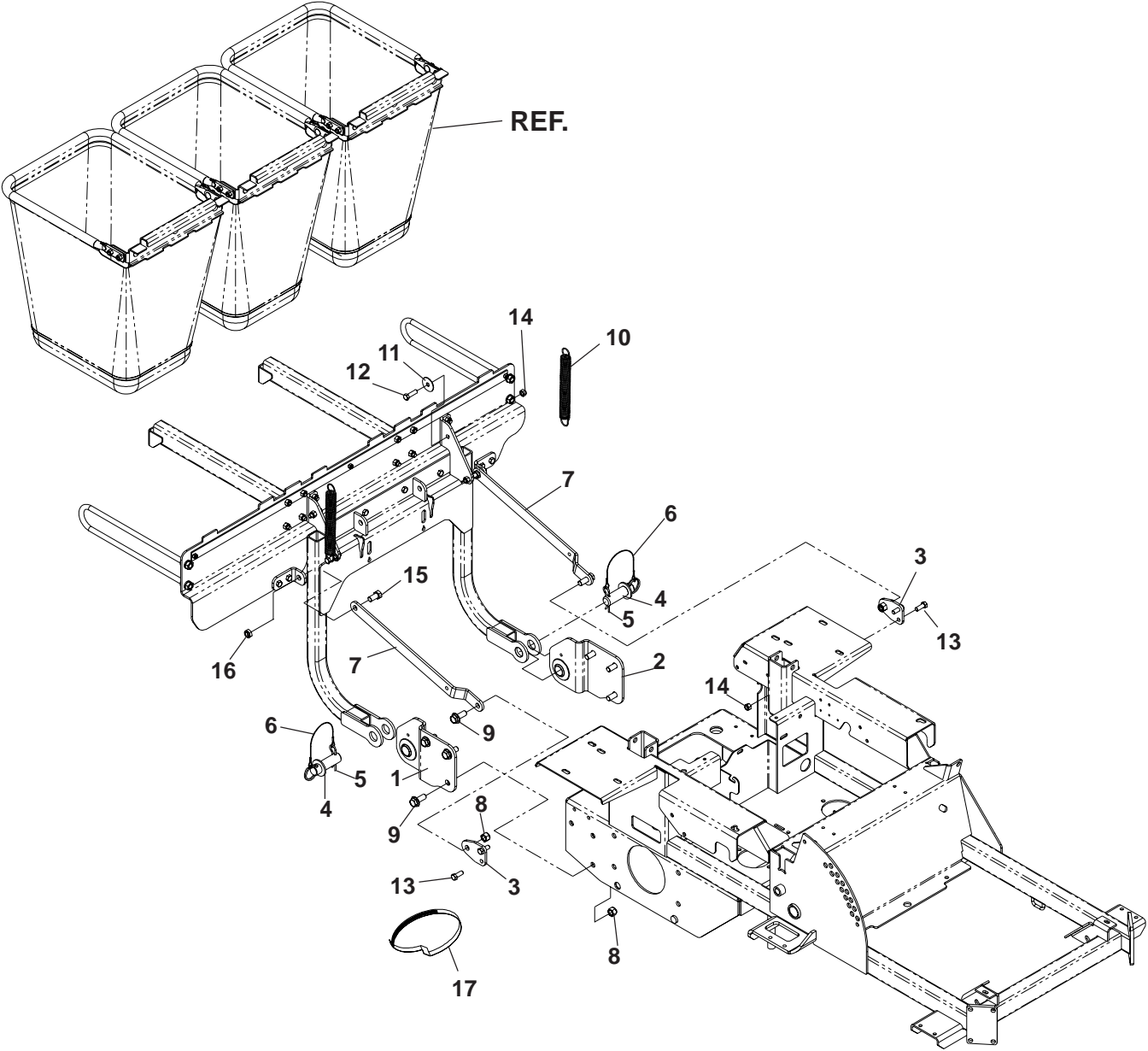
MOUNTING KIT

MODEL DCG3

ITEM	PART NO.	QTY	DESCRIPTION
1	539 111215	2	SUPPORT BRACKET
2	539 111206	2	HITCH PIN
3	539 111192	2	HAIRPIN
4	539 102563	2	LANYARD
5	539 101331	8	NUT, 1/2, NYLOC
6	539 990622	8	BOLT, 1/2-13 X 1 1/4, WHIZLK
7	539 111191	2	SPRING
8	539 102998	2	FRICTION WASHER
9	539 976941	2	HCS, 3/8-16 X 1 1/4, GR5
10	539 990563	4	HCS, 3/8-16 X 1, GR5
11	539 976979	6	NUT, 3/8-16, NYLOC
12	539 114674	2	STRAP
13	539 111199	1	HITCH BRACKET, LEFT
14	539 111201	1	HITCH BRACKET, RIGHT
15	539 990646	2	HCS, 1/2-13 X 1, GR5
16	539 115609	2	NUT, 1/2-13, THIN NYLOC
17	539 115719	1	HOSE CLAMP

MOUNTING KIT

MODEL DCK3

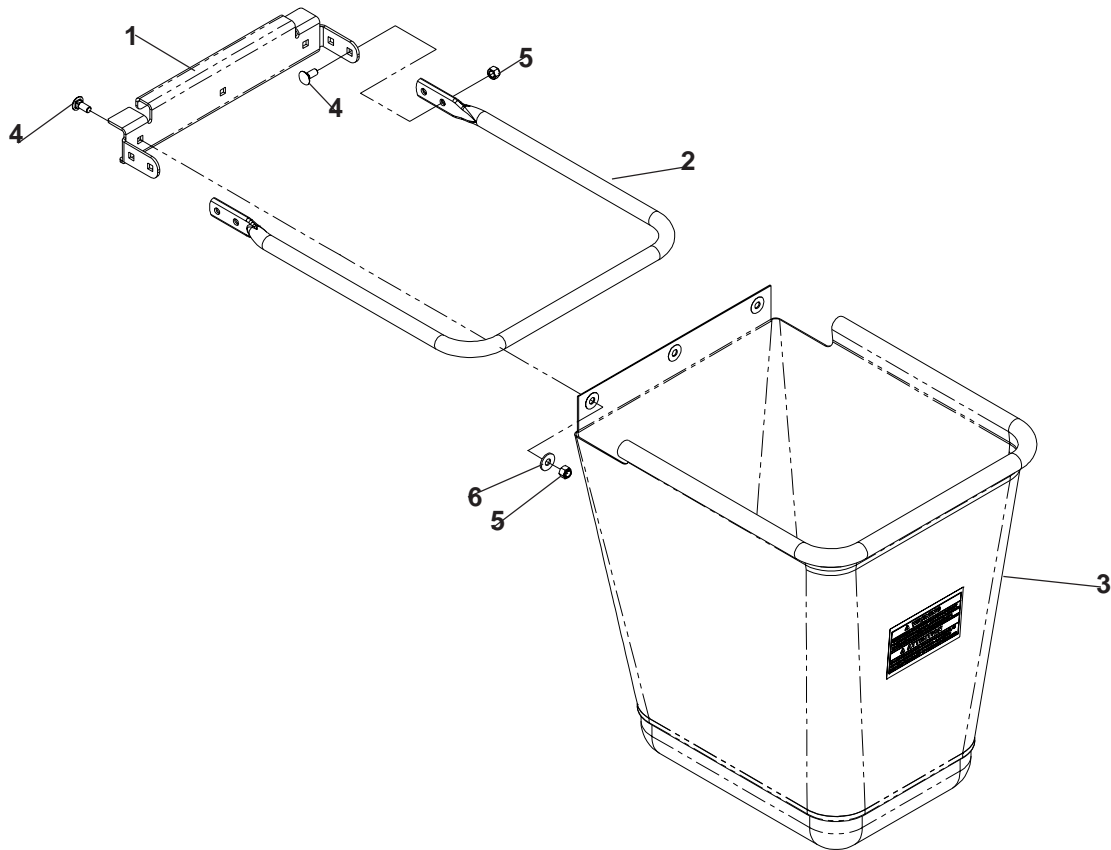


MOUNTING KIT

MODEL DCK3

ITEM	PART NO.	QTY	DESCRIPTION
1	539 111205	1	HITCH BRACKET, RIGHT
2	539 111203	1	HITCH BRACKET, LEFT
3	539 111215	2	SUPPORT BRACKET
4	539 111206	2	HITCH PIN
5	539 111192	2	HAIRPIN
6	539 102563	2	LANYARD
7	539 114672	2	STRAP
8	539 101331	8	NUT, 1/2, NYLOC
9	539 990622	8	BOLT, 1/2-13 X 1 1/4, WHIZLK
10	539 111191	2	SPRING
11	539 102998	2	FRICTION WASHER
12	539 976941	2	HCS, 3/8-16 X 1 1/4, GR5
13	539 990563	4	HCS, 3/8-16 X 1, GR5
14	539 976979	6	NUT, 3/8-16, NYLOC
15	539 990646	2	HCS, 1/2-13 X 1, GR5
16	539 115609	2	NUT, 1/2-13, THIN, NYLOC
17	539 115719	1	HOSE CLAMP

BAG ASSEMBLY



ITEM	PART NO.	QTY	DESCRIPTION
1	539 110063	1	HANGER, BAG
2	539 111166	1	TUBE, BAG FRAME
3	539 111300	1	BAG, SMALL
4	539 990316	7	RHSNB, 5/16-18 X 5/8, GR5
5	539 990717	7	NUT, 5/16, NYLOC
6	539 990692	3	WASHER, 5/16

DIXON ZTR